

DESCRIPTION

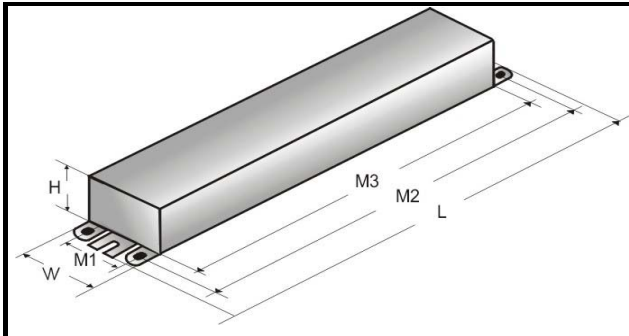
CATALOG: E-758-U-232-SC	BALLAST TYPE: Electronic	STARTING METHOD: Instant Start	NUMBER OF LAMPS - LAMP TYPE: 1 or 2 - F17T8, F25T8, F32T8, F32T8/U
-----------------------------------	------------------------------------	--	--

ELECTRICAL CHARACTERISTICS

INPUT VOLTAGE: 120 - 277 V~ ±10%	LAMP WATTS: 17/25/32 W	INPUT WATTS: 58.5 W	INPUT CURRENT: 0.495/0.215 A	OCV: 590 V	PF: > 0.95	FREQUENCY: 50 / 60 Hz	SOUND RATED: A
MIN START TEMP: 32°F / 0°C	CLASS: P	TYPE: 1 outdoor	BALLAST FACTOR: 0.88	BEF: 1.5	LAMP CONNECTION: PARALLEL	THD (1): < 15%	NO PCB'S

(1) FOR 2-F32T8

PHYSICAL CHARACTERISTICS



CASE DIMENSIONS						
UNITS	M1	M2	M3	W	L	H
INCHES	1.22	8.90	8.35	1.70	9.50	1.18
TOL(+/-)	0.01	0.01	0.01	0.05	0.05	0.05
MM	31	226	212	43	241	30
TOL(+/-)	0.25	0.25	0.25	1.30	1.30	1.30
LEAD LENGTH						
UNITS	BLACK	WHITE	RED	BLUE	BLUE	
INCHES	22	22	36	26	26	
TOL(+/-)	3/8	3/8	3/8	3/8	3/8	
MM	559	559	914	660	660	
TOL(+/-)	10	10	10	10	10	

CARTON CHARACTERISTICS

UNITS/CARTON 20	CARTONS/LAYER 12	# OF LAYERS 9	UNITS/PALLET 2160	PIECE WEIGHT 1.1 lbs	CARTON WEIGHT 23 lbs	PALLET WEIGHT 2,561 lbs
CARTONS/PALLET 108	CARTON DIMENSIONS 12.75" x 12.00" x 4.50"		PALLET DIMENSIONS 40" x 48" x 7"		PALLET DIMENSIONS LOADED, INCLUDING WOOD PALLET 40" x 48" x 48"	

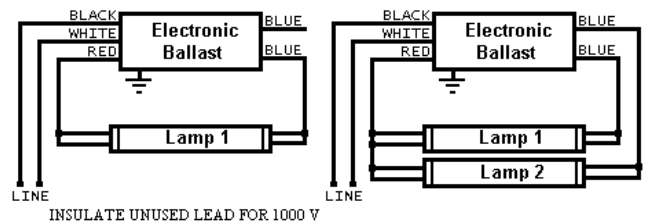
MISC.



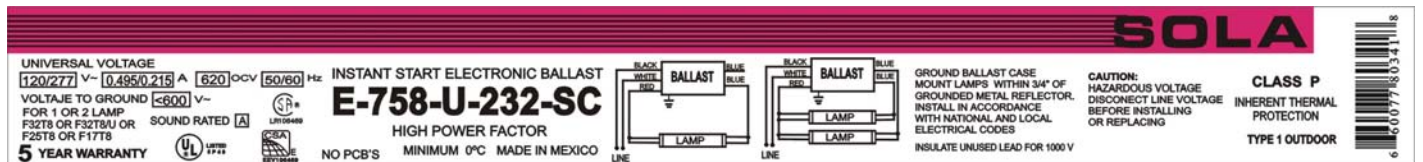
CARTON LABEL



ELECTRICAL DIAGRAM



PRODUCT LABEL



ISO 9001:2000



Data is based upon tests performed by Industrias Sola Basic in a controlled environment and representative of relative performance. Actual performance can vary depending on operating conditions. Specifications are subject to change without notice.

Made in Mexico by Industrias Sola Basic S.A. de C.V.

ISB LPS, LP
2840 Keller Springs Road,
Suites 1102 & 1103
Carrollton, Tx. 75006-4832
Tel. (972) 416-4500
Fax. (972) 418-5858