

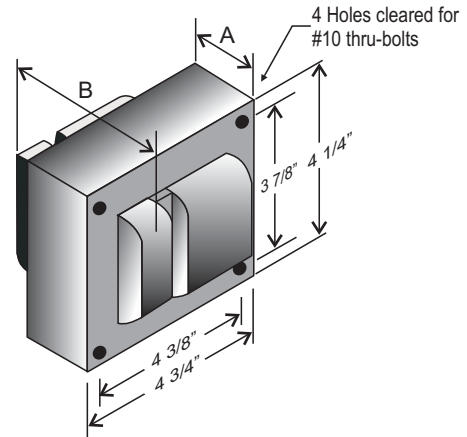
CATALOG NUMBER: E-871-DD-251 FOR ONE 250 WATT, M58 METAL HALIDE LAMP

| | |
|-----------------------------|------------------|
| Line Voltage | 480V |
| Regulation | |
| Line Volts | +/-10% |
| Lamp Watts | +/-10% |
| Frequency | 60 Hz |
| Circuit Type | CWA |
| Power Factor (min) | 90% |
| Insulation Class | H(180°) |
| Min. Ambient Starting Temp. | -20° F or -30° C |

| | |
|--------------------------|------|
| Line Voltage (Volts) | 480 |
| Line Current (Amps) | |
| Operating | 0.63 |
| Open Circuit | 0.63 |
| Starting | 0.39 |
| Input Watts (W) | 290 |
| Open Circuit Voltage (V) | 300 |
| Drop Out Voltage (V) | 240 |
| UL(1029) Bench Top Rise | A |
| Recommended Fuse (Amps) | 2 |

| | |
|-----------------------------------|-------------|
| HIGH POTENTIAL TEST (VOLTS) | |
| 1 Minute | 2000 |
| 2 Seconds | 2500 |
| Open Circuit Voltage Test(volts) | 280-330 |
| Short-Circuit Current Test (Amps) | |
| Secondary Current | 2.30 - 2.65 |
| Input Current (Amps) | 0.30 - 0.45 |

4 1/4" x 4 3/4" CORE

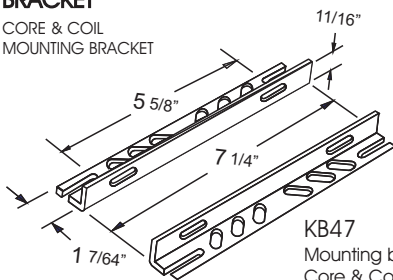


CORE AND COIL

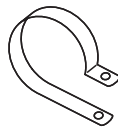
| | |
|-----------------------|-------|
| Dimension A (inches) | 1.50 |
| Dimension B (inches) | 3.35 |
| Weight (Lbs) | 10.40 |
| Lead Lengths (inches) | 12 |

BRACKET

CORE & COIL
MOUNTING BRACKET

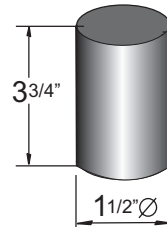


KB47
Mounting bracket for
Core & Coil Ballasts
(2 brackets with thru bolts)



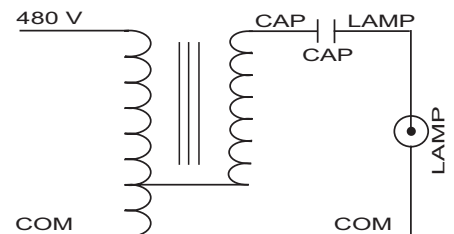
C-01
MOUNTING CLIP for round
case (Furnished as standard
with B suffix ballast)

CAPACITOR



RATING
15 Mfd ± 3%
400 VAC MIN
Dry Film Capacitor
Thermal Plastic Case
Max. Case Temp 100° C
NO PCB'S

WIRING DIAGRAM



480 VOLT CONNECTION

ORDERING INFORMATION

*** Add proper suffix to catalog number when ordering as indicated below:

- No suffix = Core and Coil Only
- B= Core and Coil, and Bracket
- C=Core and Coil, and Capacitor
- BC=Core and Coil, Capacitor and Bracket

Data is based upon tests performed by Industrias Sola Basic in a controlled environment and representative of relative performance. Actual Performance can vary depending on operating conditions. Specifications are subject to change without notice.

ISO 9001:2000



Made in Mexico by Industrias Sola Basic S.A de C.V.