

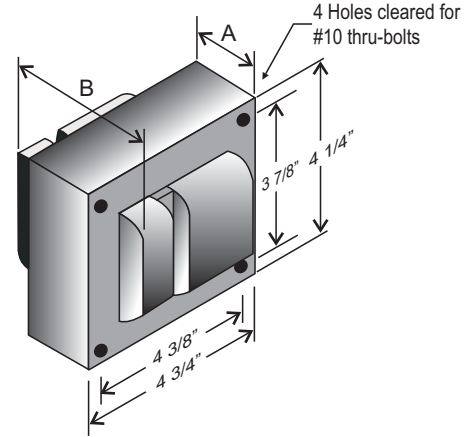
## CATALOG NUMBER: E-871-WDD-251 FOR ONE 250 WATT, M58 METAL HALIDE LAMP

Line Voltage	120/208/240/277/480 V
Regulation	
Line Volts	+/-10%
Lamp Watts	+/-10%
Frequency	60 Hz
Circuit Type	CWA
Power Factor (min)	90%
Insulation Class	H(180°)
Min. Ambient Starting Temp.	-20° F or -30° C

Line Voltage (Volts)	120	208	240	277	480
Line Current (Amps)					
Operating	2.50	1.45	1.25	1.10	0.63
Open Circuit	2.50	1.45	1.25	1.10	0.63
Starting	1.56	0.90	0.77	0.68	0.39
Input Watts (W)	290	290	290	290	290
Open Circuit Voltage (V)	300	300	300	300	300
Drop Out Voltage (V)	60	104	120	140	240
UL(1029) Bench Top Rise	A	A	A	A	A
Recommended Fuse (Amps)	8	5	5	3	2

HIGH POTENTIAL TEST (VOLTS)						
1 Minute	2000					
2 Seconds	2500					
Open Circuit Voltage Test (volts)	280-330					
Short-Circuit Current Test (Amps)						
Secondary Current	2.30 - 2.65	1.20 -	0.65 -	0.60 -	0.50 -	0.30 -
Input Current (Amps)		1.80	1.05	0.90	0.80	0.45

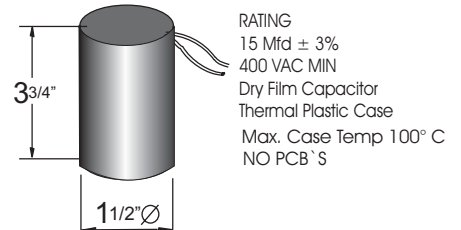
### 4 1/4" x 4 3/4" CORE



### CORE AND COIL

Dimension A (inches)	1.50
Dimension B (inches)	3.35
Weight (Lbs)	10.40
Lead Lengths (inches)	12

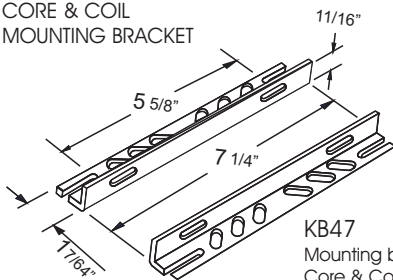
### CAPACITOR



RATING  
15 Mfd ± 3%  
400 VAC MIN  
Dry Film Capacitor  
Thermal Plastic Case  
Max. Case Temp 100° C  
NO PCB'S

### BRACKET

CORE & COIL  
MOUNTING BRACKET

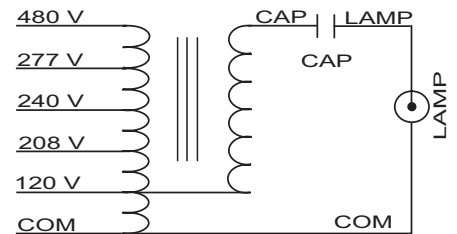


KB47  
Mounting bracket for  
Core & Coil Ballasts  
(2 brackets with thru bolts)



C-01  
MOUNTING CLIP for round  
case (Furnished as standard  
with B suffix ballast)

### WIRING DIAGRAM



120/208/240/277/480 VOLT CONNECTION

## ORDERING INFORMATION

\*\*\* Add proper suffix to catalog number when ordering as indicated below:

- No suffix = Core and Coil Only
- B = Core and Coil, and Bracket
- C = Core and Coil, and Capacitor
- BC = Core and Coil, Capacitor and Bracket

Data is based upon tests performed by Industrias Sola Basic in a controlled environment and representative of relative performance. Actual Performance can vary depending on operating conditions. Specifications are subject to change without notice.

ISO 9001:2000

