

### DESCRIPTION

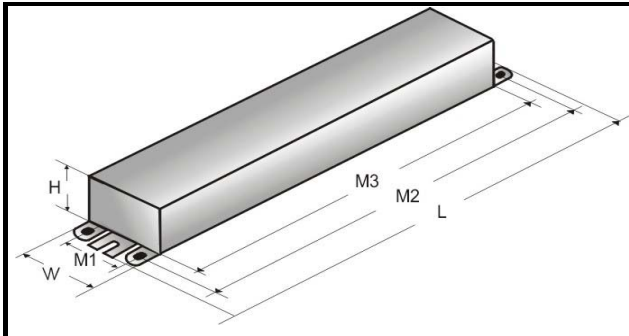
<b>CATALOG:</b> E-758-F-432-SC	<b>BALLAST TYPE:</b> Electronic	<b>STARTING METHOD:</b> Instant Start	<b>NUMBER OF LAMPS – LAMP TYPE:</b> 1 or 2 or 3 or 4 - F17T8, F25T8, F32T8, F32T8/U
-----------------------------------	------------------------------------	--	--

### ELECTRICAL CHARACTERISTICS

<b>INPUT VOLTAGE:</b> 120 V~ ±10%	<b>LAMP WATTS:</b> 17/25/32 w	<b>INPUT WATTS:</b> 112 w	<b>INPUT CURRENT:</b> 0.95 A	<b>OCV:</b> 650 v	<b>PF:</b> > 0.97	<b>FREQUENCY:</b> 50/60 Hz	<b>SOUND RATED:</b> A
<b>MIN START TEMP:</b> 32°F / 0°C	<b>CLASS:</b> P	<b>TYPE:</b> 1 outdoor	<b>BALLAST FACTOR:</b> 0.87	<b>BEF:</b> 0.77	<b>LAMP CONNECTION:</b> PARALLEL	<b>THD (1):</b> < 10%	<b>NO PCB'S</b>

(1) FOR 4-F32T8

### PHYSICAL CHARACTERISTICS



#### CASE DIMENSIONS

UNITS	M1	M2	M3	W	L	H	
INCHES	1.22	8.90	8.35	1.70	9.50	1.18	
TOL(+/-)	0.01	0.01	0.01	0.05	0.05	0.05	
MM	31	226	212	43	241	30	
TOL(+/-)	0.25	0.25	0.25	1.30	1.30	1.30	

#### LEAD LENGTH

UNITS	BLACK	WHITE	YELLOW	YELLOW	BLUE	BLUE	RED	RED
INCHES	22	22	43	43	34	34	34	34
TOL(+/-)	3/8	3/8	3/8	3/8	3/8	3/8	3/8	3/8
MM	559	559	1092	1092	863	863	863	863
TOL(+/-)	10	10	10	10	10	10	10	10

### CARTON CHARACTERISTICS

<b>UNITS/CARTON</b> 20	<b>CARTONS/LAYER</b> 12	<b># OF LAYERS</b> 7	<b>UNITS/PALLET</b> 1680	<b>PIECE WEIGHT</b> 1.45 lbs	<b>CARTON WEIGHT</b> 30 lbs	<b>PALLET WEIGHT</b> 2,597 lbs
<b>CARTONS/PALLET</b> 84	<b>CARTON DIMENSIONS</b> 12.75" x 12.00" x 4.50"		<b>PALLET DIMENSIONS</b> 40" x 48" x 7"		<b>PALLET DIMENSIONS LOADED, INCLUDING WOOD PALLET</b> 40" x 48" x 39"	

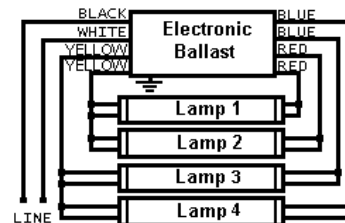
### MISC.



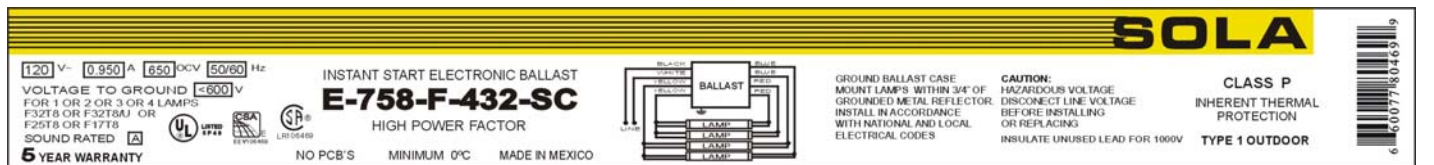
#### CARTON LABEL



#### ELECTRICAL DIAGRAM



#### PRODUCT LABEL



ISO 9001:2000



Data is based upon tests performed by Industrias Sola Basic in a controlled environment and representative of relative performance. Actual performance can vary depending on operating conditions. Specifications are subject to change without notice.

Made in Mexico by Industrias Sola Basic S.A. de C.V.

ISB LPS, LP  
2840 Keller Springs Road,  
Suites 1102 & 1103  
Carrollton, Tx. 75006-4832  
Tel. (972) 416-4500  
Fax. (972) 418-5858