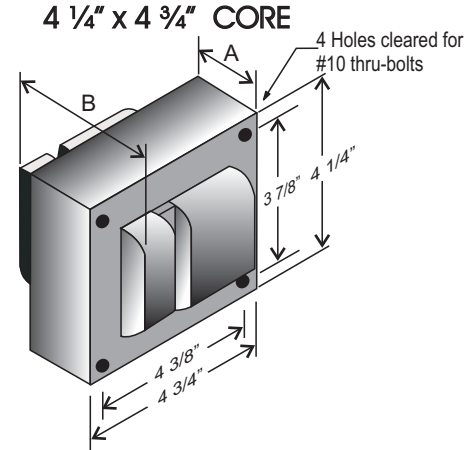


CATALOG NUMBER: E-971-WDD-SO250 FOR ONE 250 WATT, S50 HIGH PRESSURE SODIUM LAMP

Line Voltage	120/208/240/277/480 V
Regulation	
Line Volts	+/-10%
Lamp Watts	WITHIN TRAPEZOID
Frequency	60 Hz
Circuit Type	CWA
Power Factor (min)	90%
Insulation Class	H(180°)
Min. Ambient Starting Temp.	-40° F or -40° C

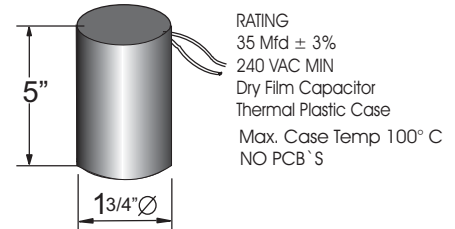
Line Voltage (Volts)	120	208	240	277	480
Line Current (Amps)					
Operating	2.50	1.50	1.30	1.10	0.65
Open Circuit	1.65	0.96	0.80	0.75	0.40
Starting	1.61	0.95	0.81	0.70	0.40
Input Watts (W)	295	295	295	295	295
Open Circuit Voltage (V)	190	190	190	190	190
Drop Out Voltage (V)	83	147	168	187	325
UL(1029) Bench Top Rise	A	A	A	A	A
Recommended Fuse (Amps)	10	4	4	3	2
HIGH POTENTIAL TEST (VOLTS)					
1 Minute	2000				
2 Seconds	2500				
Open Circuit Voltage Test(volts)	175-210				
Short-Circuit Current Test (Amps)					
Secondary Current	4.0 - 4.5				
Input Current (Amps)	1.37 -	0.79 -	0.69 -	0.59 -	0.35 -
	1.63	0.96	0.83	0.72	0.42



CORE AND COIL

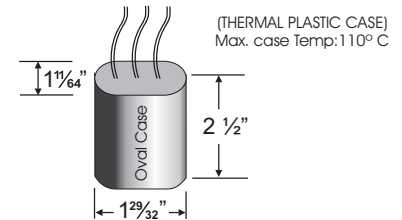
Dimension A (inches)	2.00
Dimension B (inches)	4.00
Weight (Lbs)	12.80
Lead Lengths (inches)	12

CAPACITOR



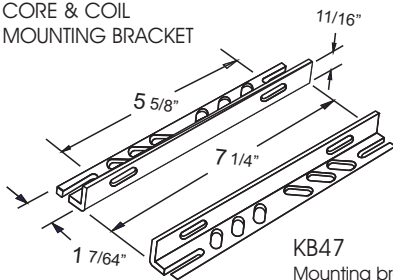
IGNITOR 37-63-AS-6.9-N6

Ballast to Lamp Distance (BTL): 2 feet



BRACKET

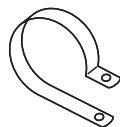
CORE & COIL MOUNTING BRACKET



KB47
Mounting bracket for Core & Coil Ballasts (2 brackets with thru bolts)

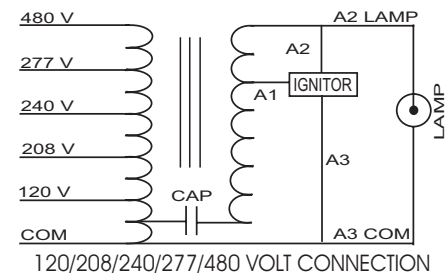


C-01
MOUNTING CLIP for round case (Furnished as standard with B suffix ballast)



I-01
MOUNTING CLIP for oval case (Furnished as standard with B suffix ballast)

WIRING DIAGRAM



ORDERING INFORMATION

*** Add proper suffix to catalog number when ordering as indicated below:
 No suffix = Core and Coil Only
 B = Core and Coil, and Bracket
 C = Core and Coil, and Capacitor
 BC = Core and Coil, Capacitor and Bracket

Data is based upon tests performed by Industrias Sola Basic in a controlled environment and representative of relative performance. Actual Performance can vary depending on operating conditions. Specifications are subject to change without notice.

ISO 9001:2000



Made in Mexico by Industrias Sola Basic S.A de C.V.