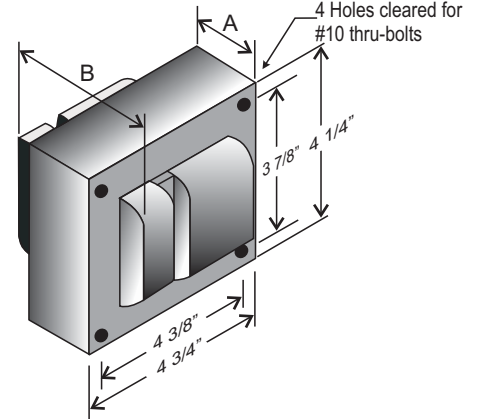


## CATALOG NUMBER: E-MCA00W351 FOR ONE 350 WATT, M131 METAL HALIDE PULSE START LAMP

Line Voltage	120/208/240/277V
Regulation	
Line Volts	+/-10%
Lamp Watts	+/-10%
Frequency	60 Hz
Circuit Type	CWA
Power Factor (min)	90%
Insulation Class	H(180°)
Min. Ambient Starting Temp.	-20° F or -30° C

Line Voltage (Volts)	120	208	240	277
Line Current (Amps)				
Operating	3.40	2.0	1.70	1.50
Open Circuit	3.10	1.83	1.53	1.35
Starting	1.65	0.93	0.82	0.71
Input Watts (W)	400	400	400	400
Open Circuit Voltage (V)	275	275	275	275
Drop Out Voltage (V)	57	98	114	131
UL(1029) Bench Top Rise	C	C	C	C
Recommended Fuse (Amps)	10	7	5	5
HIGH POTENTIAL TEST (VOLTS)				
1 Minute	2000			
2 Seconds	2500			
Open Circuit Voltage Test(volts)	250-300			
Short-Circuit Current Test (Amps)				
Secondary Current	3.2 - 3.8			
Input Current (Amps)	1.10 - 1.85	0.60 - 1.05	0.55 - 0.90	0.45 - 0.80

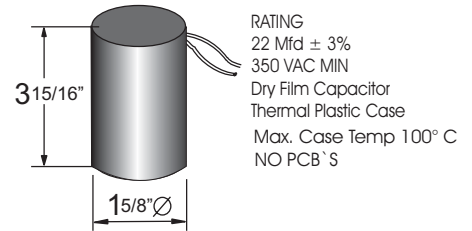
### 4 1/4" x 4 3/4" CORE



### CORE AND COIL

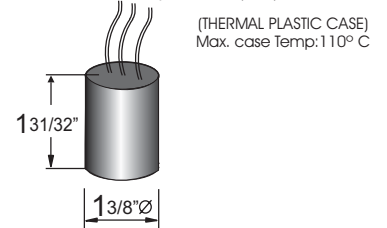
Dimension A (inches)	1.80
Dimension B (inches)	3.70
Weight (Lbs)	11.80
Lead Lengths (inches)	12

### CAPACITOR



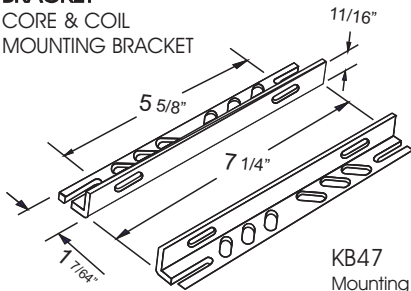
### IGNITOR 37-63-AS-6.9-N7

Ballast to Lamp Distance (BTL): 2 feet



### BRACKET

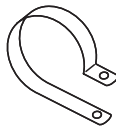
CORE & COIL  
MOUNTING BRACKET



KB47  
Mounting bracket for  
Core & Coil Ballasts  
(2 brackets with thru bolts)

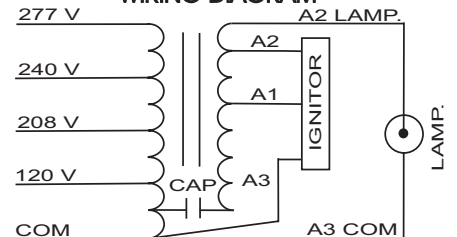


C-01  
MOUNTING CLIP for round  
case (Furnished as standard  
with B suffix ballast)



I-01  
MOUNTING CLIP for round  
case (Furnished as standard  
with B suffix ballast)

### WIRING DIAGRAM



## ORDERING INFORMATION

\*\*\* Add proper suffix to catalog number when ordering as indicated below:

- No suffix = Core and Coil Only
- B = Core and Coil, and Bracket
- C = Core and Coil, and Capacitor
- BC = Core and Coil, Capacitor and Bracket

Data is based upon tests performed by Industrias Sola Basic in a controlled environment and representative of relative performance. Actual Performance can vary depending on operating conditions. Specifications are subject to change without notice.

ISO 9001:2000



Made in Mexico by Industrias Sola Basic S.A de C.V.