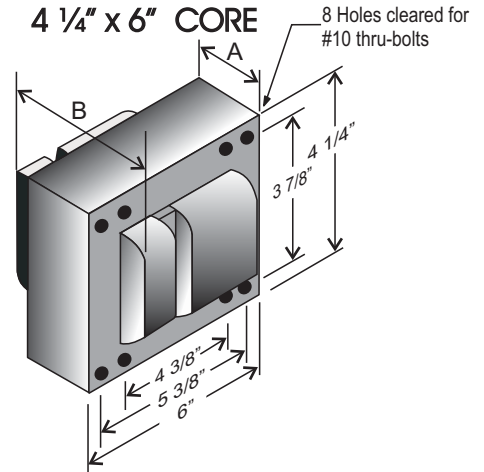


CATALOG NUMBER: E-MCA00W751 FOR ONE 750 WATT, M149 METAL HALIDE PULSE START LAMP

Line Voltage	120/208/240/277V
Regulation	
Line Volts	+/-10%
Lamp Watts	+/-10%
Frequency	60 Hz
Circuit Type	CWA
Power Factor (min)	90%
Insulation Class	H(180°)
Min. Ambient Starting Temp.	-20° F or -30° C

Line Voltage (Volts)	120	208	240	277
Line Current (Amps)				
Operating	7.0	4.0	3.5	3.0
Open Circuit	5.7	3.4	3.0	2.6
Starting	4.4	2.5	2.1	1.85
Input Watts (W)	818	818	818	818
Open Circuit Voltage (V)	360	360	360	360
Drop Out Voltage (V)	60	104	120	138
UL(1029) Bench Top Rise	D	D	D	D
Recommended Fuse (Amps)	20	10	10	8

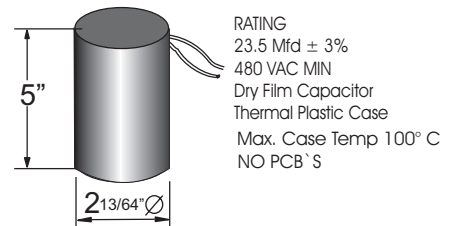
HIGH POTENTIAL TEST (VOLTS)				
1 Minute	2000			
2 Seconds	2500			
Open Circuit Voltage Test (volts)	335-400			
Short-Circuit Current Test (Amps)				
Secondary Current	4.4 - 5.3			
Input Current (Amps)				
	3.2 - 4.8	1.75 - 2.8	1.45 - 2.4	1.25 - 2.1



CORE AND COIL

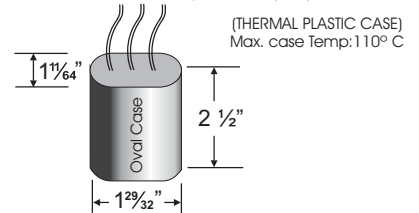
Dimension A (inches)	2.40
Dimension B (inches)	4.40
Weight (Lbs)	20.00
Lead Lengths (inches)	12

CAPACITOR



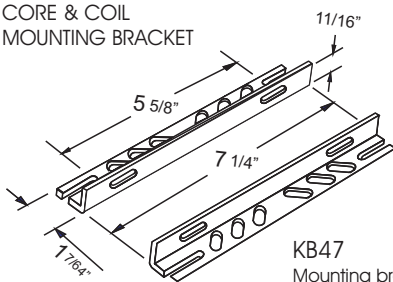
IGNITOR 356-AS-751-MH

Ballast to Lamp Distance (BTL): 5 feet



BRACKET

CORE & COIL
MOUNTING BRACKET



KB47
Mounting bracket for
Core & Coil Ballasts
(2 brackets with thru bolts)

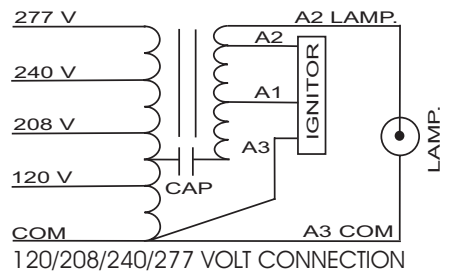


C-01
MOUNTING CLIP for round
case (Furnished as standard
with B suffix ballast)



I-01
MOUNTING CLIP for oval
case (Furnished as standard
with B suffix ballast)

WIRING DIAGRAM



ORDERING INFORMATION

*** Add proper suffix to catalog number when ordering as indicated below:

- No suffix = Core and Coil Only
- B= Core and Coil, and Bracket
- C=Core and Coil, and Capacitor
- BC=Core and Coil, Capacitor and Bracket

Data is based upon tests performed by Industrias Sola Basic in a controlled environment and representative of relative performance. Actual Performance can vary depending on operating conditions. Specifications are subject to change without notice.

ISO 9001:2000



Made in Mexico by Industrias Sola Basic S.A de C.V.