

## CATALOG NUMBER: E-MMCA00W1000 FOR ONE 1000 WATT, M47 METAL HALIDE LAMP

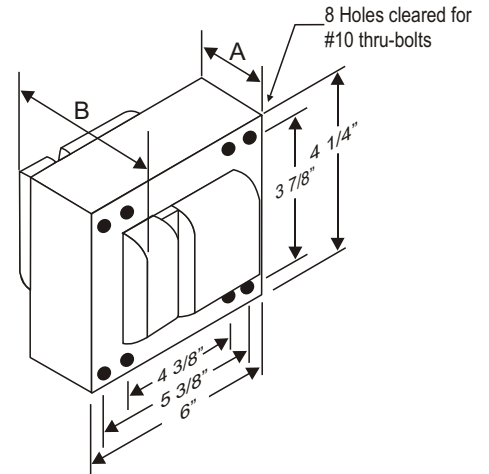
Line Voltage	120/208/240/277V
Regulation	
Line Volts	+/-10%
Lamp Watts	+/-10%
Frequency	60 Hz
Circuit Type	CWA
Power Factor (min)	90%
Insulation Class	H(180°)
Min. Ambient Starting Temp.	-20° F or -30° C

Line Voltage (Volts)	120	208	240	277
Line Current (Amps)				
Operating	9.0	5.2	4.5	3.9
Open Circuit	4.9	2.9	2.8	2.3
Starting	7.0	4.1	3.6	3.1
Input Watts (W)	1080	1080	1080	1080
Open Circuit Voltage (V)	421	421	421	421
Drop Out Voltage (V)	60	104	120	140
UL(1029) Bench Top Rise	D	B	C	C
Recommended Fuse (Amps)	20	15	10	10

HIGH POTENTIAL TEST (VOLTS)					
1 Minute	2000				
2 Seconds	2500				
Open Circuit Voltage Test (volts)	370-460				
Short-Circuit Current Test (Amps)					
Secondary Current	5.0 - 5.8				
Input Current (Amps)		6.40 -	3.70 -	3.16 -	2.80 -
		7.40	4.30	3.80	3.30

Coil Material : Primary Cu and secondary Al

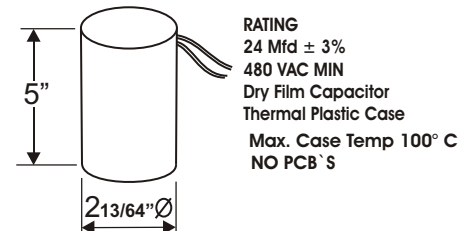
### 4 1/4" x 6" CORE



### CORE AND COIL

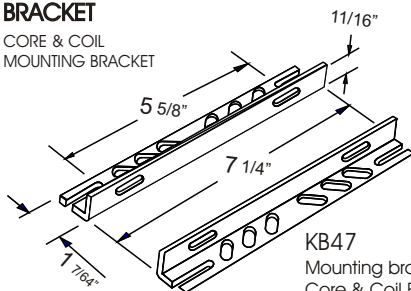
Dimension A (inches)	3.15
Dimension B (inches)	5.40
Weight (Lbs)	21.90
Lead Lengths (inches)	12

### CAPACITOR

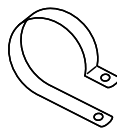


### BRACKET

CORE & COIL MOUNTING BRACKET



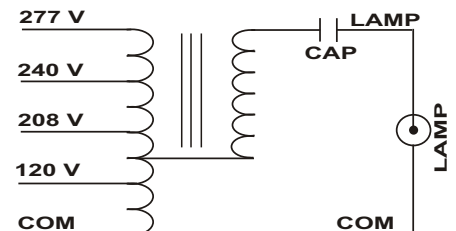
KB47  
Mounting bracket for  
Core & Coil Ballasts  
(2 brackets with thru bolts)



### C-01

MOUNTING CLIP for round case (Furnished as standard with B suffix ballast)

### WIRING DIAGRAM



120/208/240/277 VOLT CONNECTION

Data is based upon tests performed by Industrias Sola Basic in a controlled environment and representative of relative performance. Actual Performance can vary depending on operating conditions. Specifications are subject to change without notice.

