

## CATALOG NUMBER: E-MMCA00W250 FOR ONE 250 WATT, M58 METAL HALIDE LAMP

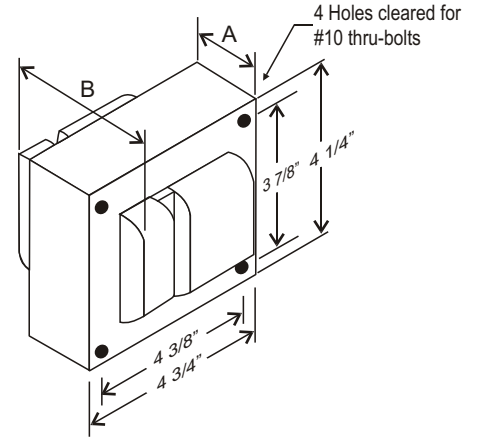
Line Voltage	120/208/240/277V
Regulation	
Line Volts	+/-10%
Lamp Watts	+/-10%
Frequency	60 Hz
Circuit Type	CWA
Power Factor (min)	90%
Insulation Class	H(180°)
Min. Ambient Starting Temp.	-20° F or -30° C

Line Voltage (Volts)	120	208	240	277
Line Current (Amps)				
Operating	2.60	1.50	1.30	1.15
Open Circuit	1.93	1.09	0.98	0.85
Starting	2.15	1.26	1.10	0.96
Input Watts (W)	290	290	290	290
Open Circuit Voltage (V)	300	300	300	300
Drop Out Voltage (V)	60	104	120	140
UL(1029) Bench Top Rise	A	B	B	B
Recommended Fuse (Amps)	8	5	5	3

HIGH POTENTIAL TEST (VOLTS)					
1 Minute	2000				
2 Seconds	2500				
Open Circuit Voltage Test (volts)	280-335				
Short-Circuit Current Test (Amps)					
Secondary Current	2.3 - 2.7	2.05 -	1.17 -	0.97 -	0.89 -
Input Current (Amps)		2.20	1.28	1.15	0.97

Coil Material : Primary Al and secondary Al

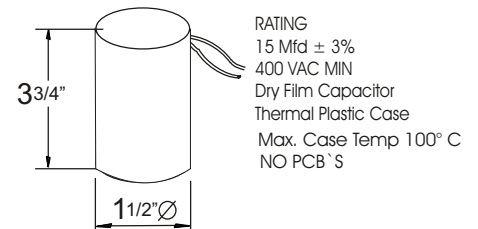
### 4 1/4" x 4 3/4" CORE



### CORE AND COIL

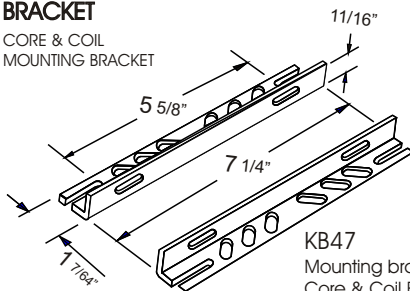
Dimension A (inches)	1.70
Dimension B (inches)	3.60
Weight (Lbs)	10.00
Lead Lengths (inches)	12

### CAPACITOR

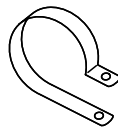


### BRACKET

CORE & COIL MOUNTING BRACKET



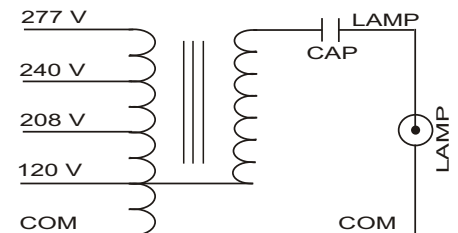
KB47  
Mounting bracket for  
Core & Coil Ballasts  
(2 brackets with thru bolts)



### C-01

MOUNTING CLIP for round case (Furnished as standard with B suffix ballast)

### WIRING DIAGRAM



120/208/240/277 VOLT CONNECTION

Data is based upon tests performed by Industrias Sola Basic in a controlled environment and representative of relative performance. Actual Performance can vary depending on operating conditions. Specifications are subject to change without notice.

