

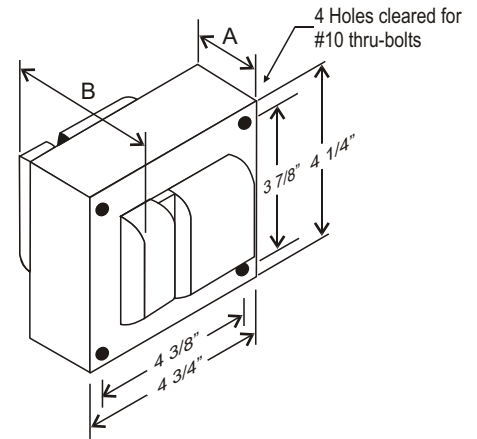
CATALOG NUMBER: E-MMCAWDD250 FOR ONE 250 WATT, M58 METAL HALIDE LAMP

Line Voltage	120/208/240/277/480 V
Regulation	
Line Volts	+/-10%
Lamp Watts	+/-10%
Frequency	60 Hz
Circuit Type	CWA
Power Factor (min)	90%
Insulation Class	H(180°)
Min. Ambient Starting Temp.	-20° F or -30° C

Line Voltage (Volts)	120	208	240	277	480
Line Current (Amps)					
Operating	2.60	1.50	1.30	1.15	0.65
Open Circuit	1.80	1.10	0.93	0.83	0.47
Starting	2.20	1.28	1.10	0.97	0.56
Input Watts (W)	290	290	290	290	290
Open Circuit Voltage (V)	300	300	300	300	300
Drop Out Voltage (V)	60	104	120	140	240
UL(1029) Bench Top Rise	A	B	A	B	B
Recommended Fuse (Amps)	8	5	5	3	2

HIGH POTENTIAL TEST (VOLTS)	
1 Minute	2000
2 Seconds	2500
Open Circuit Voltage Test (volts)	280-340
Short-Circuit Current Test (Amps)	
Secondary Current	2.30 - 2.65
Input Current (Amps)	2.08 - 1.20 - 1.05 - 0.91 - 0.53 - 2.22 1.30 1.12 0.98 0.57

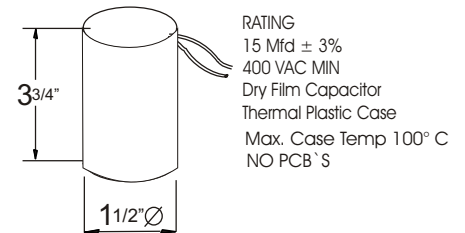
4 1/4" x 4 3/4" CORE



CORE AND COIL

Dimension A (inches)	1.84
Dimension B (inches)	3.75
Weight (Lbs)	11.30
Lead Lengths (inches)	12

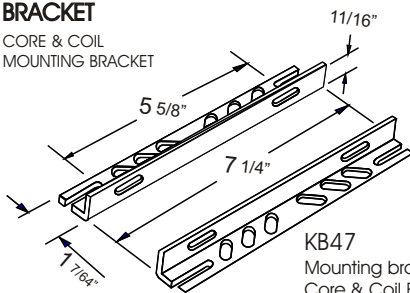
CAPACITOR



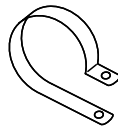
Coil Material : Primary Cu and secondary Al

BRACKET

CORE & COIL
MOUNTING BRACKET

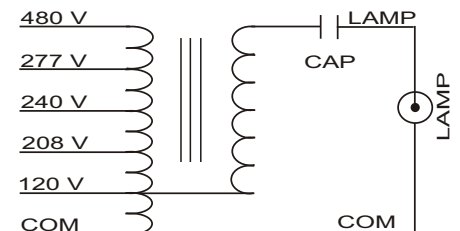


KB47
Mounting bracket for
Core & Coil Ballasts
(2 brackets with thru bolts)



C-01
MOUNTING CLIP for round
case (Furnished as standard
with B suffix ballast)

WIRING DIAGRAM



120/208/240/277/480 VOLT CONNECTION

Data is based upon tests performed by Industrias Sola Basic in a controlled environment and representative of relative performance. Actual Performance can vary depending on operating conditions. Specifications are subject to change without notice.

