

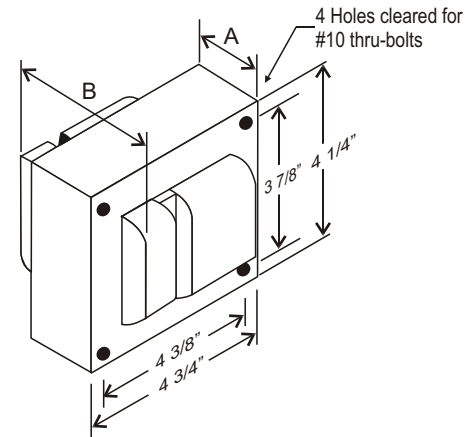
## CATALOG NUMBER: E-MMCAWDD400 FOR ONE 400 WATT, M59 METAL HALIDE LAMP

Line Voltage	120/208/240/277/480 V
Regulation	
Line Volts	+/-10%
Lamp Watts	+/-10%
Frequency	60 Hz
Circuit Type	CWA
Power Factor (min)	90%
Insulation Class	H(180°)
Min. Ambient Starting Temp.	-20° F or -30° C

Line Voltage (Volts)	120	208	240	277	480
Line Current (Amps)					
Operating	4.00	2.30	2.00	1.70	1.00
Open Circuit	2.90	1.67	1.47	1.28	0.75
Starting	3.16	1.83	1.62	1.40	0.80
Input Watts (W)	458	458	458	458	458
Open Circuit Voltage (V)	300	300	300	300	300
Drop Out Voltage (V)	60	104	120	140	240
UL(1029) Bench Top Rise	B	C	C	C	D
Recommended Fuse (Amps)	10	7	5	5	3

HIGH POTENTIAL TEST (VOLTS)						
1 Minute	2000					
2 Seconds	2500					
Open Circuit Voltage Test (volts)	270-330					
Short-Circuit Current Test (Amps)						
Secondary Current	3.50 - 4.10	3.0 -	1.74 -	1.53 -	1.32 -	0.75 -
Input Current (Amps)		3.3	1.90	1.66	1.45	0.85

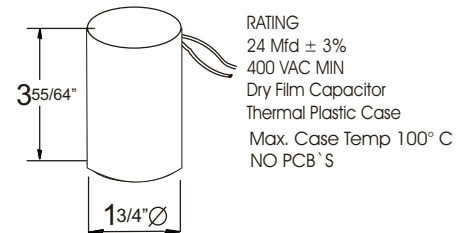
### 4 1/4" x 4 3/4" CORE



### CORE AND COIL

Dimension A (inches)	2.40
Dimension B (inches)	4.40
Weight (Lbs)	14.00
Lead Lengths (inches)	12

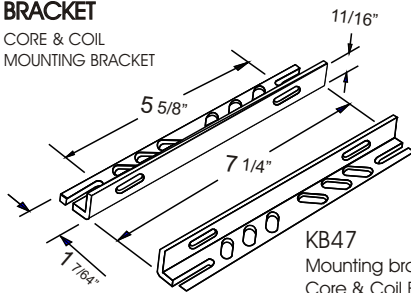
### CAPACITOR



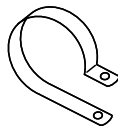
Coil Material : Primary Cu and secondary Al

### BRACKET

CORE & COIL  
MOUNTING BRACKET



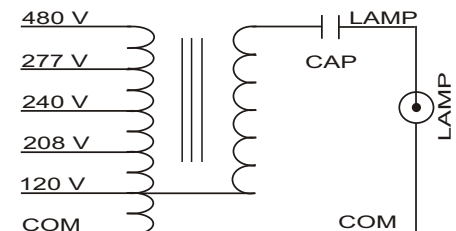
KB47  
Mounting bracket for  
Core & Coil Ballasts  
(2 brackets with thru bolts)



### C-01

MOUNTING CLIP for round case (Furnished as standard with B suffix ballast)

### WIRING DIAGRAM



120/208/240/277/480 VOLT CONNECTION

Data is based upon tests performed by Industrias Sola Basic in a controlled environment and representative of relative performance. Actual Performance can vary depending on operating conditions. Specifications are subject to change without notice.

