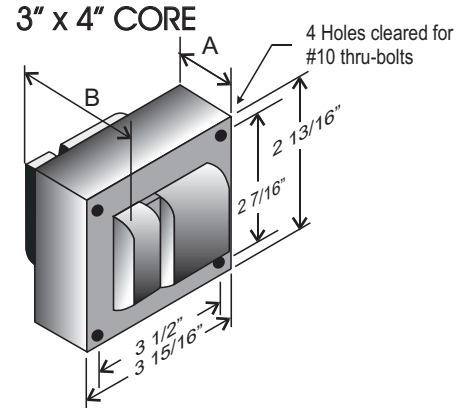


CATALOG NUMBER: E-MZA00W39 FOR ONE 39 WATT, M130 METAL HALIDE LAMP

Line Voltage	120/208/240/277V
Regulation	
Line Volts	+/- 5%
Lamp Watts	+/-10%
Frequency	60 Hz
Circuit Type	HX-HPF
Power Factor (min)	90%
Insulation Class	H(180°)
Min. Ambient Starting Temp.	-20° F or -30° C

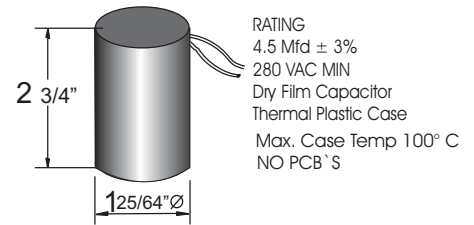
Line Voltage (Volts)	120	208	240	277
Line Current (Amps)				
Operating	0.46	0.27	0.23	0.20
Open Circuit	1.02	0.60	0.51	0.45
Starting	0.35	0.20	0.17	0.15
Input Watts (W)	54	54	54	54
Open Circuit Voltage (V)	235	235	235	235
Drop Out Voltage (V)	90	150	175	208
UL(1029) Bench Top Rise	A	A	A	A
Recommended Fuse (Amps)	3	2	1	1
HIGH POTENTIAL TEST (VOLTS)				
1 Minute	2000			
2 Seconds	2500			
Open Circuit Voltage Test(volts)	205-265			
Short-Circuit Current Test (Amps)				
Secondary Current	0.6 - 0.7			
Input Current (Amps)	0.22 -	0.13 -	0.11 -	0.10 -
	0.28	0.16	0.14	0.12



CORE AND COIL

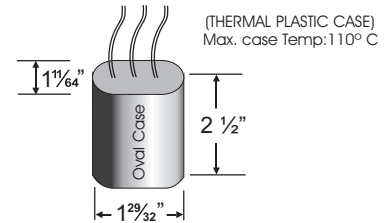
Dimension A (inches)	1.00
Dimension B (inches)	2.30
Weight (Lbs)	4.15
Lead Lengths (inches)	12

CAPACITOR

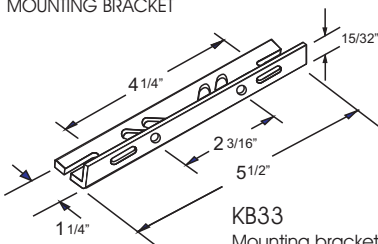


IGNITOR 356-AS-39-MH

Ballast to Lamp Distance (BTL): 5 feet



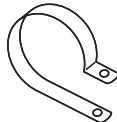
BRACKET CORE & COIL MOUNTING BRACKET



KB33
Mounting bracket for
Core & Coil Ballasts
(1 bracket with thru bolts)

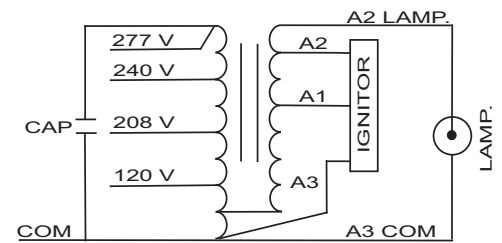


C-01
MOUNTING CLIP for round
case (Furnished as standard
with B suffix ballast)



I-01
MOUNTING CLIP for oval
case (Furnished as standard
with B suffix ballast)

WIRING DIAGRAM



120/208/240/277 VOLT CONNECTION

ORDERING INFORMATION

*** Add proper suffix to catalog number when ordering as indicated below:

- No suffix = Core and Coil Only
- B= Core and Coil, and Bracket
- C=Core and Coil, and Capacitor
- BC=Core and Coil, Capacitor and Bracket

Data is based upon tests performed by Industrias Sola Basic in a controlled environment and representative of relative performance. Actual Performance can vary depending on operating conditions. Specifications are subject to change without notice.

ISO 9001:2000

