

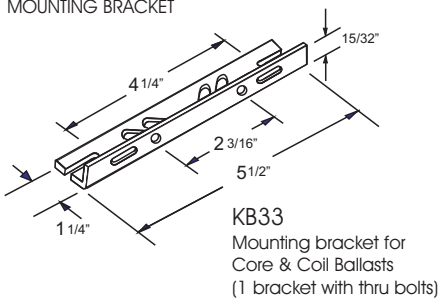
CATALOG NUMBER: E-MZA00W70 FOR ONE 70 WATT, M98 METAL HALIDE LAMP

| | |
|-----------------------------|------------------|
| Line Voltage | 120/208/240/277V |
| Regulation | |
| Line Volts | +/- 5% |
| Lamp Watts | +/-10% |
| Frequency | 60 Hz |
| Circuit Type | HX-HPF |
| Power Factor (min) | 90% |
| Insulation Class | H(180°) |
| Min. Ambient Starting Temp. | -20° F or -30° C |

| Line Voltage (Volts) | 120 | 208 | 240 | 277 |
|--------------------------|------|------|------|------|
| Line Current (Amps) | | | | |
| Operating | 0.85 | 0.50 | 0.43 | 0.37 |
| Open Circuit | 1.70 | 0.96 | 0.83 | 0.72 |
| Starting | 0.91 | 0.66 | 0.57 | 0.50 |
| Input Watts (W) | 95 | 95 | 95 | 95 |
| Open Circuit Voltage (V) | 250 | 250 | 250 | 250 |
| Drop Out Voltage (V) | 90 | 150 | 175 | 208 |
| UL(1029) Bench Top Rise | A | A | A | A |
| Recommended Fuse (Amps) | 4 | 3 | 2 | 2 |

| HIGH POTENTIAL TEST (VOLTS) | |
|-----------------------------------|-------------|
| 1 Minute | 2000 |
| 2 Seconds | 2500 |
| Open Circuit Voltage Test(volts) | 240-265 |
| Short-Circuit Current Test (Amps) | |
| Secondary Current | 1.00 - 1.25 |
| Input Current (Amps) | |
| | 0.55 - 1.05 |
| | 0.30 - 0.60 |
| | 0.25 - 0.55 |
| | 0.22 - 0.50 |

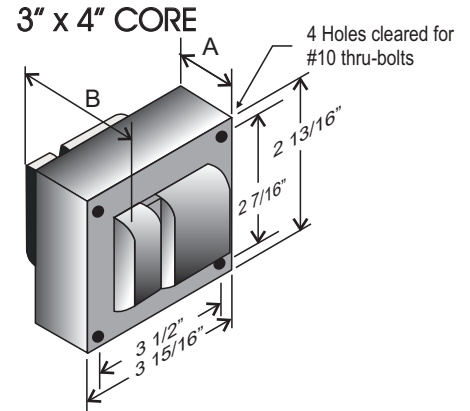
BRACKET CORE & COIL MOUNTING BRACKET



C-01
MOUNTING CLIP for round case (Furnished as standard with B suffix ballast)



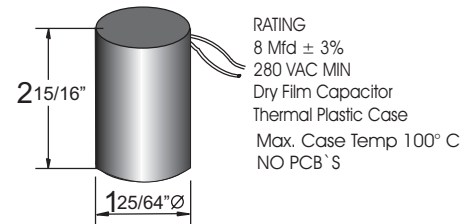
I-01
MOUNTING CLIP for oval case (Furnished as standard with B suffix ballast)



CORE AND COIL

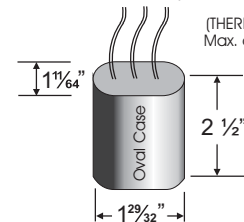
| | |
|-----------------------|------|
| Dimension A (inches) | 1.45 |
| Dimension B (inches) | 2.90 |
| Weight (Lbs) | 5.50 |
| Lead Lengths (inches) | 12 |

CAPACITOR

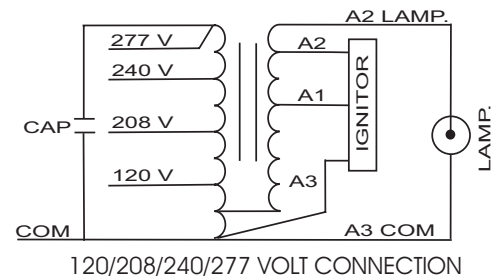


IGNITOR 356-AS-100-MH

Ballast to Lamp Distance (BTL): 5 feet
(THERMAL PLASTIC CASE)
Max. case Temp: 110° C



WIRING DIAGRAM



ORDERING INFORMATION

*** Add proper suffix to catalog number when ordering as indicated below:
No suffix = Core and Coil Only
B= Core and Coil, and Bracket
C=Core and Coil, and Capacitor
BC=Core and Coil, Capacitor and Bracket

Data is based upon tests performed by Industrias Sola Basic in a controlled environment and representative of relative performance. Actual Performance can vary depending on operating conditions. Specifications are subject to change without notice.

ISO 9001:2000



Made in Mexico by Industrias Sola Basic S.A de C.V.