

ISB SOLA BASIC



REV. "A"

FLUORESCENT BALLAST SPECIFICATIONS

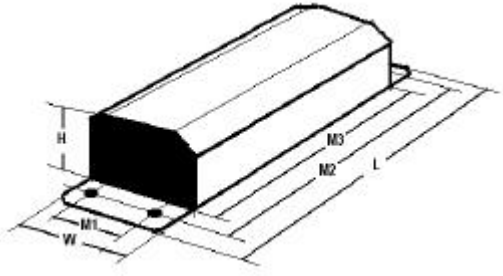
DESCRIPTION

CATALOG ERSFC-122-TPK	TYPE Normal Power Factor	STARTING METHOD Rapid Start	NUMBER OF LAMPS 1	LAMP TYPE FC8T9
---------------------------------	-----------------------------	--------------------------------	----------------------	--------------------

ELECTRICAL CHARACTERISTICS

INPUT VOLTAGE 120v	LAMP WATTS 22w	INPUT POWER 28w	INPUT CURRENT 0.61 A	OCV 205v	PF NPF	FREQUENCY 60 Hz	SOUND RATED A
MIN START TEMP 50° F / 10°C	CLASS P	TYPE 1 outdoor	BALLAST FACTOR 0.90	BEF 3.2142	THD <15%	NO PCB'S	

PHYSICAL CHARACTERISTICS



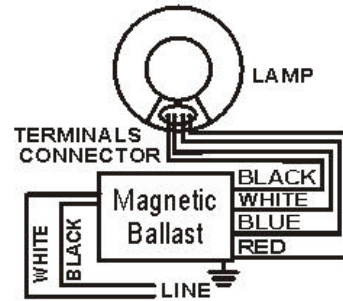
CASE DIMENSIONS						
UNITS	M1	M2	M3	W	L	H
INCHES	N / A	6.00	5.275	1.937	6.50	1.375
TOL(+/-)		0.010	0.010	0.050	0.050	0.150
MM	N / A	153	134	49	165	35
TOL(+/-)		0.25	0.25	1.30	1.30	3.80
LEAD LENGTH						
UNITS	BLACK	WHITE	TERMINAL CONNECTOR			
INCHES	12	12	8			
TOL(+/-)	3/8	3/8	3/8			
MM	304	304	203			
TOL(+/-)	10	10	10			

CARTON CHARACTERISTICS

UNITS/CARTON 16	CARTONS/LAYER 12	# OF LAYERS 5	UNITS/PALLET 960	PIECE WEIGHT 3.31 lbs	CARTON WEIGHT 38 lbs	PALLET WEIGHT 2,364 lbs
CARTONS/PALLET 60	CARTON DIMENSIONS 12" x 12" x 4"		PALLET DIMENSIONS 40" x 48" x 7"	PALLET DIMENSIONS LOADED INCLUDING WOOD PALLET 40" x 48" x 28"		

CARTON LABEL

ELECTRICAL DIAGRAM



PRODUCT LABEL

SOLA

120 VOLT 0.61 AMP 205 OCV 60 HZ

RAPID START BALLAST
ERSFC-122-TPK

FOR: 1-FC8 T9
SOUND RATED **A**
2 YEAR WARRANTY

MINIMUM 10° C
MADE IN MEXICO
CLASS P
TYPE 1
OUTDOOR

GROUND BALLAST CASE
MOUNT LAMP WITHIN 12" OF
GROUNDED METAL REFLECTOR

6 400 774 008 7 16

Lighting and Power Source
2707 Realty Road, Suite 110
Carrollton, TX 75006
Tel: (888) 385-4448
Fax: (972) 418-5858